



TCM-4FC7530-AXJM

36x Full Color Network Speed Dome

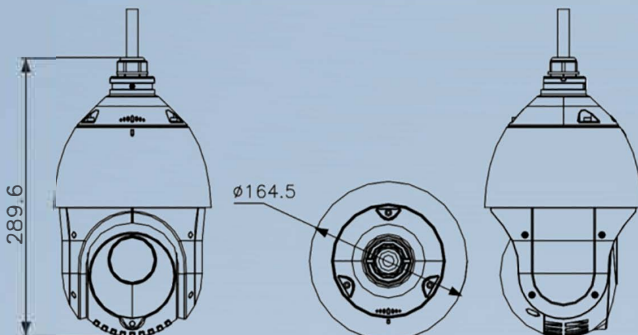


TCM-4FC7530-AXJM 5MP 36X Full Color Network Speed Dome adopts 1/2.8" progressive scan CMOS chip. With the 36X optical zoom lens, the camera offers more details over expansive areas. This series of cameras can be widely used for wide ranges of high definition, such as the rivers, roads, railways, airports, squares, parks, scenic spots, and venues, etc.

Features :

- Humanoid and face detection, capture & linked with alarm system.
- Excellent performance with Full Color Technology.
- 1/2.8" Progressive Scan CMOS.
- 36x optical zoom provide close up views over expansive areas
- Up to 2590 x 1920 @30fps resolution.
- WDR, HLC, BLC, 3D DNR, Defog, Auto Focus.
- Water and dust resistant (IP66) and vandal proof (IK10)
- Support face capture and humanoid detection.
- Support H.264/H.265 video compression.

DIMENSION



Distributed by

Specifications

| CAMERA | |
|-------------------------|--|
| Image Sensor | 1/2.8" progressive scan CMOS |
| Min. Illumination | Color: 0.005 Lux @ (F1.6, AGC ON); B/W: 0.001 Lux @ (F1.6, AGC ON), 0 Lux with IR |
| Shutter Speed | 1/1 s to 1/30000 s |
| Slow Shutter | yes |
| Focus | semi-auto, manual, auto |
| Day & Night | 8pc Warm Leds |
| Day/Night Switch | Full Color, auto, scheduled-switch |
| BLC | yes |
| WDR | 120 dB WDR |
| HLC | yes |
| 3D DNR | yes |
| Defog | yes |
| Image Settings | saturation, brightness, contrast, sharpness |
| White Balance | auto, ATW, sodium lamp, fluorescent lamp, indoor, outdoor, MWB, Locked WB |
| Optical Zoom | 36 x Optical Zoom |
| Privacy Mask | up to 24 masks, polygon region, mosaic mask, mask color configurable |
| SNR | >52dB |
| LENS | |
| Focal Length | 4.3 - 155mm, F1.6 25x Optical |
| Zoom Speed | approx. 3.6 s |
| FOV | Horizontal field of view: 57.6° to 2.5° (wide-tele) ; Vertical field of view: 34.4° to 1.4° (wide-tele), Diagonal field of view: 64.5° to 2.9° (wide-tele) |
| PTZ | |
| Movement Range (Pan) | 360° |
| Movement Range (Tilt) | -15° to 90°(auto flip) |
| Pan Speed | pan speed: configurable from 0.1° to 80°/s; preset speed: 80°/s |
| Tilt Speed | tilt speed: configurable from 0.1° to 80°/s, preset speed 80°/s |
| Proportional Zoom | yes |
| Presets | 300 |
| Patrol Scan | 8 patrols, up to 32 presets for each patrol |
| Pattern Scan | 4 pattern scans |
| Power-off Memory | yes |
| Park Action | preset, pattern scan, patrol scan, auto scan, tilt scan, random scan, frame scan, panorama scan |
| 3D Positioning | yes |
| PTZ Status Display | yes |
| Preset Freezing | yes |
| Scheduled Task | preset, pattern scan, patrol scan, auto scan, tilt scan, random scan, frame scan, panorama scan, dome reboot, dome adjust, aux output |
| VIDEO | |
| Max. Resolution | 2560 x 1920 ,5 Mega Pixels |
| Stream Type | main stream, sub-stream, third stream |
| Main Stream | 50Hz: 25fps (1920 x 1080, 1280 x 960, 1280 x 720) |
| Sub-Stream | 50Hz: 25fps (704 x 576, 640 x 480, 352 x 288) |
| Video Compression | 32 kbps to 16384 kbps |
| H.264 Type | yes |
| H.265 Type | Main profile |
| AUDIO | |
| Audio Compression | G.711alaw, G.711ulaw, G.722.1, G.726, MP2L2, PCM |
| Audio Bit rate | MP2L2: 32kbps, 40kbps, 48kbps, 56kbps, 64kbps, 80kbps, 96kbps, 112kbps, 128kbps, 144kbps, 160kbps, 192kbps |
| Audio Sampling Rate | MP2L2: 16kHz, 32kHz, 48kHz, PCM: 8kHz, 16kHz, 32kHz, 48kHz |
| Env. Noise Filtering | yes |
| SMART FEATURES | |
| Analytic | Face & Humanoid detection |
| Basic Event | audio exception, motion detection, exception |
| Smart Event | intrusion detection, line crossing detection, region entrance detection, region exiting detection, unattended baggage detection, object removal detection |
| Alarm Linkage | preset, patrol scan, pattern scan, memory card video recording, alarm output, sending email, notify surveillance center, upload to FTP |
| NETWORK & INTERFACE | |
| Communication Interface | RJ45, self-adaptive 10M/100M Ethernet port |
| Client Software | Techma VMS |
| Web Browser | IE 8 to 11, Chrome 57+, Firefox 52+, Safari 12+ |
| Alarm Input / Output | 1 alarm input/ 1 alarm output |
| Audio Input | 1 audio input, 2.0 to 2.4Vp-p, 1k Ohm±10%, |
| Audio Output | 1 audio output, line level, impedance: 600 Ω |
| SUPPLEMENT LIGHT | |
| Warm Leds Distance | up to 150 meters |
| GENERAL | |
| Power | 12 VDC, PoE(802.3at) |
| Power Cons. and Current | Max. 24 W, including max. 9 W for supplement light |
| Operating Conditions | -40°C to 70°C (-40°F to 158°F) |
| Dimensions | Φ 164.5 mm × 290 mm (Φ 6.48" × 11.42") |
| Weight | Approx. 2 kg (4.41 lb) |