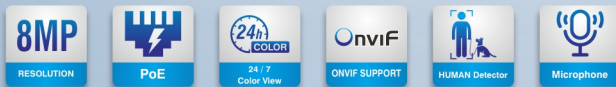




TCM-5185FCW

8MP Indoor Dome Full Color IP Camera

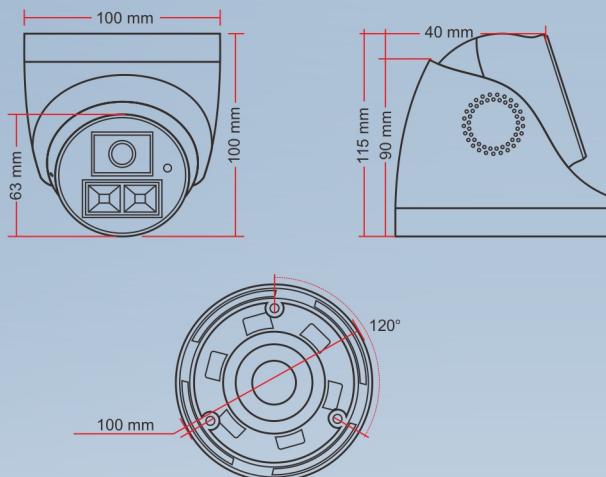


TECHMA TCM-5185FCW 8MP Indoor Dome IP Camera Full Color technology provides 24/7 vivid colorful images with F1.0 advanced lenses and high performance sensors. F1.0 super-aperture collects more light to produce brighter images. Advanced sensor technology can vastly improve the utilization of available light.

Features

- High quality imaging with 8 MP resolution
- Efficient H.265+ compression technology
- Clear imaging against strong backlight due to 130 dB WDR technology
- Built-in microphone for real-time audio security(-U)
- Humanoid classification
- 24/7 colorful imaging

Dimension



Specifications

| CAMERA | |
|--------------------------|---|
| Image Sensor | 1/1.8" Progressive Scan CMOS |
| Min. Illumination | Color: 0.0005 Lux @ (F1.0, AGC ON), B/W: 0 Lux with white light |
| Shutter Speed | 1/3s to 1/100,000s |
| Slow Shutter | Yes |
| P/N | P/N |
| Wide Dynamic Range | 130 dB |
| Angle Adjustment | Pan: 0° to 360°, tilt: 0° to 90°, rotate: 0° to 360° |
| LENS | |
| Lens Type | Fixed focal lens, 2.8, 4, and 6 mm optional |
| Iris Type | Fixed |
| Lens Type & FOV | 2.8 mm, horizontal FOV 112°, vertical FOV 61°, diagonal FOV 134° 4 mm, horizontal FOV 95°, vertical FOV 51°, diagonal FOV 115° 6 mm, horizontal FOV 58°, vertical FOV 31°, diagonal FOV 69° |
| Depth of Focus | 2.8 mm, 2.5 m to ∞ 4 mm, 3.5 m to ∞ 6 mm, 7.5 m to ∞ |
| Aperture | F1.0 |
| Lens Mount | M16 |
| ILLUMINATOR | |
| Supplement Light Type | 4* LED Warm Light |
| White Light Range | 30 M |
| Smart Supplement Light | Auto & scheduling |
| VIDEO | |
| Max. Resolution | 3840 × 2160 8MP |
| Main Stream | 50 Hz: 25 fps (3840 x 2160, 2688 × 1520, 1920 × 1080) |
| Sub Stream | 50 Hz: 25 fps (640 × 480, 640 × 360) |
| Video Compression | Main stream: H.265/H.264/H.265+/H.264+ Sub-stream: H.265/H.264/MJPEG |
| Video Bit Rate | 32 Kbps to 8 Mbps |
| H.264 Type | Baseline Profile/Main Profile/High Profile |
| H.265 Type | Main Profile |
| H.264+ | Main stream supports |
| H.265+ | Main stream supports |
| Bit Rate Control | CBR/VBR |
| Scalable Video Coding | H.264 and H.265 encoding |
| Region of Interest (ROI) | 1 fixed region for main stream and sub-stream |
| IMAGE | |
| SNR | ≥ 52 dB |
| Day/Night Switch | Auto, Schedule |
| Image Enhancement | BLC, HLC, 3D DNR |
| Image Parameters Switch | Yes |
| Image Settings | Rotate mode, saturation, brightness, contrast, sharpness, gain, white balance adjustable by client software or web browser |
| NETWORK | |
| Simultaneous Live View | Up to 6 channels |
| Protocols | TCP/IP, ICMP, HTTP, HTTPS, FTP, DHCP, DNS, DDNS, RTP, RTSP, NTP, UPnP, SMTP, |
| User/Host | Up to 32 users. 3 user levels: administrator, operator and user |
| Security | Password protection, complicated password, HTTPS encryption, IP address filter, Security |
| Client | TECHMA VMS |
| Web Browser | Plug-in required live view: IE 10+ Plug-in free live view: Chrome 57.0+, Firefox 52.0+ |
| Communication Interface | 1 RJ45 10 M/100 M self-adaptive Ethernet port. |
| VCA EVENT | |
| Basic Event | Motion detection , |
| Smart Event | Face shape and Human detection |
| Audio | Built-in microphone for real-time audio security(-U) |
| GENERAL | |
| Linkage Method | Upload to NAS/FTP, notify surveillance center, trigger recording, trigger |
| General Function | Anti-flicker, heartbeat, mirror, privacy mask, flash log, password reset via email |
| Storage Conditions | -30 °C to 60 °C (-22 °F to 140 °F). Humidity 95% or less (non-condensing) |
| Startup and Operating | 30 °C to 60 °C (-22 °F to 140 °F). Humidity 95% or less (non-condensing) |
| Power Supply | 12 VDC ± 25% ;PoE: 802.3af, Class 3 |
| Power Consumption | 12 VDC, 0.5 A, max. 6 W ; PoE (802.3af, 36 V to 57 V), 0.25 A to 0.15 A, max. 7.5 W |
| Camera Dimension | 215.2 mm × 78.8 mm × 78.6 mm (8.5" × 3.1" × 3.1") |
| Package Dimension | 315 mm × 137 mm × 141 mm (12.4" × 5.4" × 5.6") |
| Camera Weight | Approx. 695 g (1.5 lb.) |
| With Package Weight | Approx. 1090 g (2.4 lb.) |

Distributed by