

## Specifications



### TCM-5085FC 8MP Bullet Full Color IP Camera

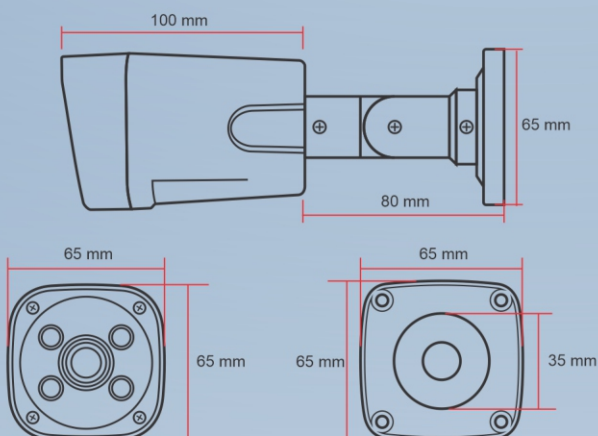


TECHMA TCM-5085FC 8MP Bullet Full Color IP Camera Full Color technology provides 24/7 vivid colorful images with F1.0 advanced lenses and high performance sensors. F1.0 super-aperture collects more light to produce brighter images. Advanced sensor technology can vastly improve the utilization of available light.

#### Features

- High quality imaging with 8 MP resolution
- Efficient H.265+ compression technology
- Clear imaging against strong backlight due to 130 dB WDR technology
- Face & Humanoid classification
- 24/7 colorful imaging
- Water and dust resistant (IP67)

#### Dimension



CAMERA	
Image Sensor	1/1.8" Progressive Scan CMOS
Min. Illumination	Color: 0.0005 Lux @ (F1.0, AGC ON), B/W: 0 Lux with white light
Shutter Speed	1/3s to 1/100,000s
Slow Shutter	Yes
P/N	P/N
Wide Dynamic Range	130 dB
Angle Adjustment	Pan: 0° to 360°, tilt: 0° to 90°, rotate: 0° to 360°
LENS	
Lens Type	Fixed focal lens, 2.8, 4, and 6 mm optional
Iris Type	Fixed
Lens Type & FOV	2.8 mm, horizontal FOV 112°, vertical FOV 61°, diagonal FOV 134° 4 mm, horizontal FOV 95°, vertical FOV 51°, diagonal FOV 115° 6 mm, horizontal FOV 58°, vertical FOV 31°, diagonal FOV 69°
Depth of Focus	2.8 mm, 2.5 m to ∞ 4 mm, 3.5 m to ∞ 6 mm, 7.5 m to ∞
Aperture	F1.0
Lens Mount	M16
ILLUMINATOR	
Supplement Light Type	4* LED Warm Light
White Light Range	30 M
Smart Supplement Light	Auto & scheduling
VIDEO	
Max. Resolution	3840 × 2160 8MP
Main Stream	50 Hz: 25 fps (3840 x 2160, 2688 × 1520, 1920 × 1080)
Sub Stream	50 Hz: 25 fps (640 × 480, 640 × 360)
Video Compression	Main stream: H.265/H.264/H.265+/H.264+ Sub-stream: H.265/H.264/MJPEG
Video Bit Rate	32 Kbps to 8 Mbps
H.264 Type	Baseline Profile/Main Profile/High Profile
H.265 Type	Main Profile
H.264+	Main stream supports
H.265+	Main stream supports
Bit Rate Control	CBR/VBR
Scalable Video Coding	H.264 and H.265 encoding
Region of Interest (ROI)	1 fixed region for main stream and sub-stream
IMAGE	
SNR	≥ 52 dB
Day/Night Switch	Auto, Schedule
Image Enhancement	BLC, HLC, 3D DNR
Image Parameters Switch	Yes
Image Settings	Rotate mode, saturation, brightness, contrast, sharpness, gain, white balance adjustable by client software or web browser
NETWORK	
Simultaneous Live View	Up to 6 channels
Protocols	TCP/IP, ICMP, HTTP, HTTPS, FTP, DHCP, DNS, DDNS, RTP, RTSP, NTP, UPnP, SMTP
User/Host	Up to 32 users, 3 user levels: administrator, operator and user
Security	Password protection, complicated password, HTTPS encryption, IP address filter, Security
Client	TECHMA VMS
Web Browser	Plug-in required live view: IE 10+ Plug-in free live view: Chrome 57.0+, Firefox 52.0+
Communication Interface	1 RJ45 10 M/100 M self-adaptive Ethernet port.
VCA EVENT	
Basic Event	Motion detection ,
Smart Event	Face shape and Human detection
GENERAL	
Linkage Method	Upload to NAS/FTP, notify surveillance center, trigger recording, trigger
General Function	Anti-flicker, heartbeat, mirror, privacy mask, flash log, password reset via email
Storage Conditions	-30 °C to 60 °C (-22 °F to 140 °F). Humidity 95% or less (non-condensing)
Startup and Operating	30 °C to 60 °C (-22 °F to 140 °F). Humidity 95% or less (non-condensing)
Power Supply	12 VDC ± 25% ;PoE: 802.3af, Class 3
Power Consumption	12 VDC, 0.5 A, max. 6 W ; PoE (802.3af, 36 V to 57 V), 0.25 A to 0.15 A, max. 7.5 W
Camera Dimension	215.2 mm × 78.8 mm × 78.6 mm (8.5" × 3.1" × 3.1")
Package Dimension	315 mm × 137 mm × 141 mm (12.4" × 5.4" × 5.6")
Camera Weight	Approx. 695 g (1.5 lb.)
With Package Weight	Approx. 1090 g (2.4 lb.)
Protection	IP67 (IEC 60529-2013)

Distributed by