



Specifications

TCM-5154PTZ-S

5MP Mini PTZ 4x Zoom Infrared IR



TCM-5154PTZ-S 5MP 5X Zoom Mini PTZ Network adopts 1/2.8" progressive scan CMOS chip. With the 5X optical zoom lens, the camera offers more details over expansive areas.

Enhanced Security Monitoring with HDR Your security camera uses HDR (High Dynamic Range) technology that works to ensure you capture the most important details, regardless of lighting conditions. HDR technology uses this difference to automatically adjust the picture's brightness, resulting in optimized, highly-detailed security video

DNR Enhanced Clarity in Low-Light Situations Your camera uses DNR (Digital Noise Reduction) technology to filter out noise from low-light settings as well any noise caused by motion. By eliminating graininess, your camera provides a cleaner, more accurate image with better clarity, sharpness, and improved motion detection, enhancing your HD experience even in the dark!

Smart Motion Detection Whenever a danger is detected, this surveillance camera will trigger alerts by immediately sending alert e-mails and pushing notifications to your device. You can adjust motion detection sensitivity to reduce false alerts.

Advanced H.265 Video Compression H.265 (HEVC) doubles the coding efficiency compared with its predecessor H.264. That

CAMERA	
Image Sensor	1/3" CMOS 5MP 335
Output Pixel	2592x1944/15fps 2592x1520/25fps
Lens	4x f=2.8 ~ 12 MM
BLC	Support
AGC	Auto/Manual
WB	Auto/manual/indoor
S/N Ratio	>50dB

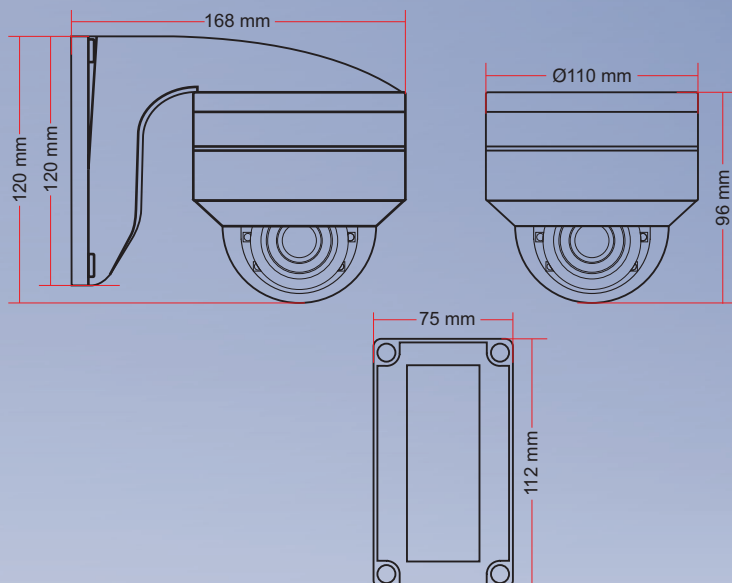
DOME	
Communication Protocol	TCP/IP, HTTP, NTP, IGMP, DHCP, UDP, SMTP, RTP, RTSP, ARP, DDNS, DNS, HTTPS, P2P
Software Control	IE, CMS, Management Platform
Video Compression	H.264/H.265/M-JPEG
Audio Compression	G711, PCM
Mobile View(Optional)	Android, Iphone
Rotation Range	Pan: 0°~35.5°, Tilt: 0°~93°
Rotation Speed	Pan: 0~25/s, Tilt: 0~20/s
Auto Flip	Support
Preset Points	220 pcs presets (dwell time 01-60s interval available)
Guard Tours	3 groups (each group 16 preset, dwell time and speed selectable)
AB scan range	Support, 0- 355°
AB scan speed	1-9 grades
Operating temperature	-15 °C ~ + 60°C
Auto Control IR LED	PWM
Consumption	≤ 10W
Lightning Protection	Transient Voltage 600V
Related Validation	Ip66, CE, FCC, RoHs

IR Parameters	
Auto Control IR LED	PWM
IR Distance	Up to 30 meters
LEDs	4 PCS Array 35 Mil IR LED
Support ambient light detection	IR illumination on 1-9 grades selectable

Feature

- 2.5 Compact Size
- Support audio (optional)
- Onvif 2.4; Support P2P Function
- Pan/Tilt/Zoom, A-B scan, tour available
- Compatible with Hikvision, Dahua, XM NVR
- Compatible with Milestone, NUUO, and

DIMENSION



Distributed by