



TCM-D9640FCW/AI+

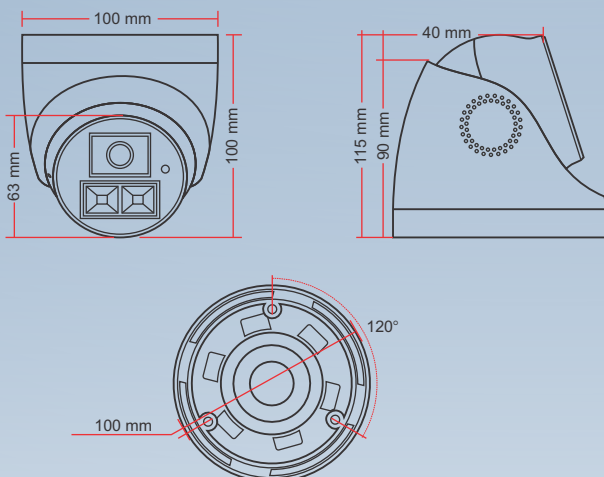
4MP FC AI Human Counting IP Camera

TECHMA TCM-D9640FCW/AI+ 4MP Indoor Dome IP Camera Full Color technology provides 24/7 vivid colorful images with F1.0 advanced lenses and high performance sensors. F1.0 super-aperture collects more light to produce brighter images. Advanced sensor technology can vastly improve the utilization of available light.

Features

- High quality imaging with 4 MP resolution
- Efficient H.265+ compression technology
- Clear imaging against strong backlight due to 130 dB WDR technology
- Built-in microphone for real-time audio security(-U)
- Humanoid classification
- 24/7 colorful imaging

Dimension



MODEL	TCM-D9640FCW/AI+
Image Sensor	1/1.8" Progressive Scan CMOS
Min. Illumination Shutter Speed	Color: 0.0006 Lux , 0 Lux with white light
Day & Night Switch	Auto, Schedule
Digital Noise Reduction WDR	3D DNR
WDR	130dB
Lens & Focal	Fixed focal lens, 2.8, 4, and 6 mm optional
FOV	2.8 mm, horizontal FOV 112°, vertical FOV 61°, diagonal FOV 134° 4 mm, horizontal FOV 95°, vertical FOV 51°, diagonal FOV 115° 6 mm, horizontal FOV 58°, vertical FOV 31°, diagonal FOV 69°

Audio Video	
Video Compression	H.265/H.264
Video Bit Rate	32 Kbps to 8 Mbps
Resolution	2560 × 1440
Audio	Internal Microphone
Audio Codec	G.711

AI Smart Feature	
Smart Feature	Human counting, Cross border detection, Electronic Fence, Off duty detection, face detection

Network	
Communication Interface	1 RJ45 10M/100M self-adaptive Ethernet port,
Protocols	TCP/IP, ICMP, HTTP, HTTPS, FTP, DHCP, DNS, DDNS, RTP, RTSP, NTP, UPnP, SMTP,
Client	Techma VMS
Web Browser	IE, Chrome, Firefox, Safari

General	
Operating Conditions Power Supply	-30 °C to 60 °C (-22 °F to 140 °F). Humidity 95% or less (non-condensing)
Power Supply	12 VDC ± 10%, PoE 802.3af. Class 3
Environment	Ip65, use for indoor
Dimensions & Weight	100mm x 115mm x 100mm Weight : 300g

HUMAN COUNTING

